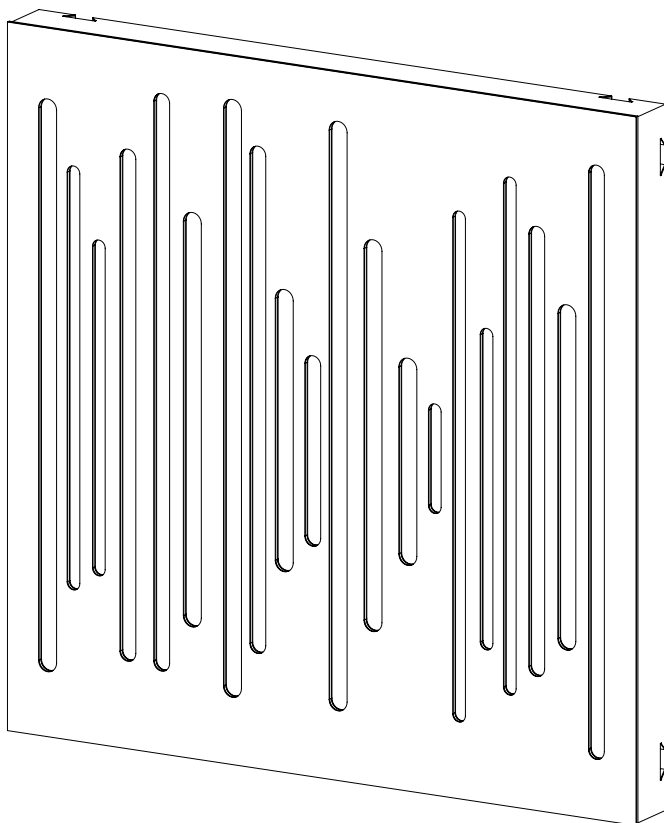


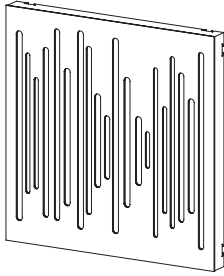
# VicPattern Ultra

Installation Manual



✓ MATERIAL NEEDED

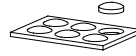
Included



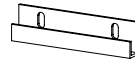
VicPattern Ultra x3



Gauge x1



Silicone Drop x6



VicFix J Profile 80mm | 3.14" x6

Not Included



Level



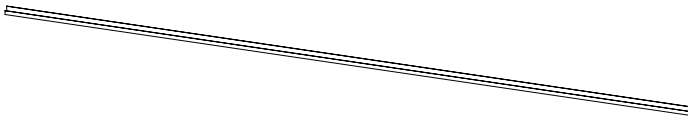
Drill



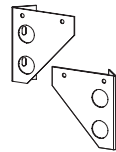
Wall Plugs and Screws x12



Ceiling Gauge x2



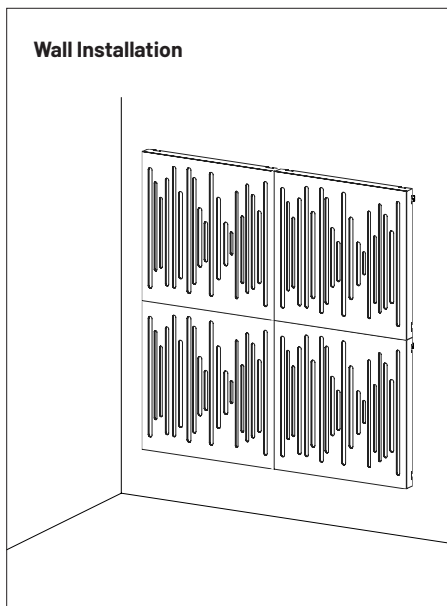
VicFix J Profile 2m 178.7" x20



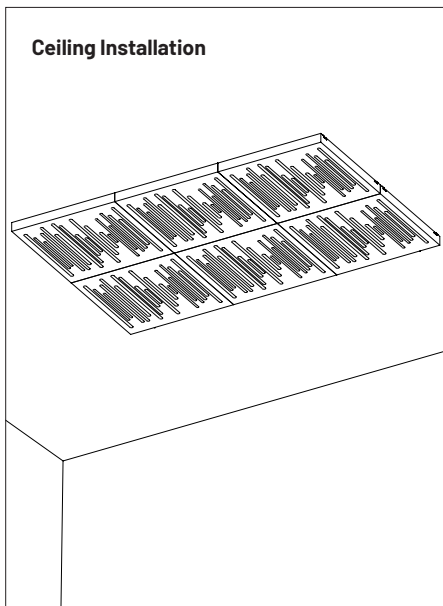
VicFix Corner 4 +4

This product can also be installed on the ceiling and wall with the VicFix J Profile 2m (sold separately). For corner installation, use the VicFix Corner (sold separately).

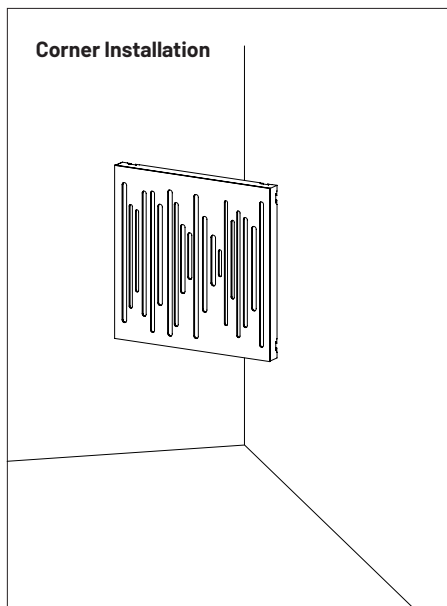
### Wall Installation



### Ceiling Installation



### Corner Installation

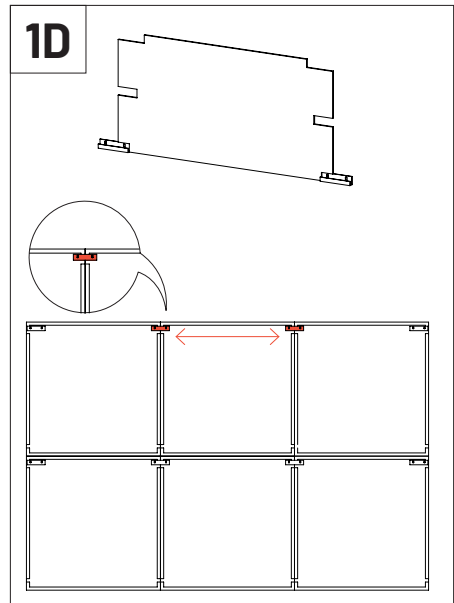
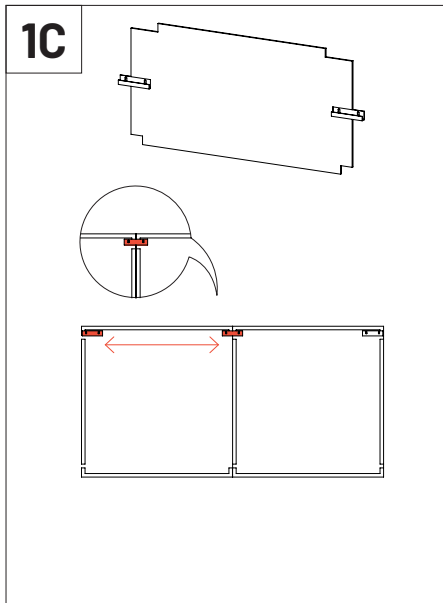
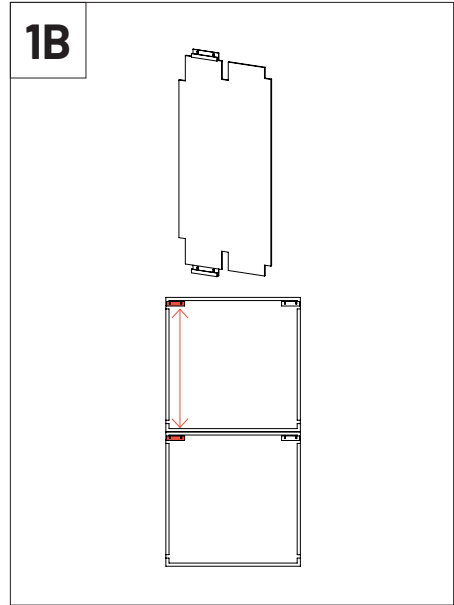
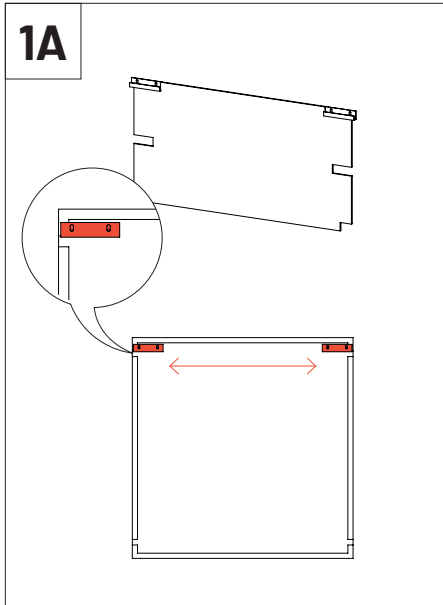


\* The Wavewood pattern is merely indicative. This method applies to any products in the VicPattern Ultra range.



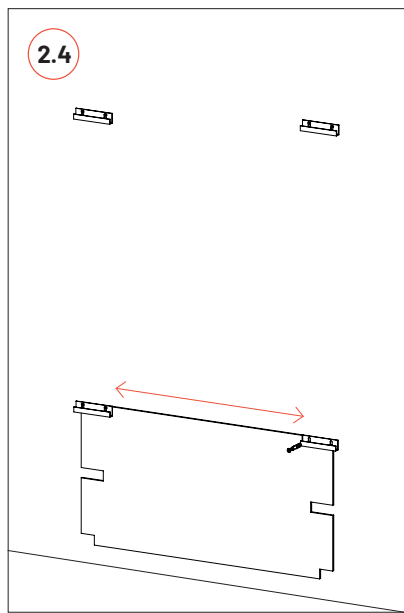
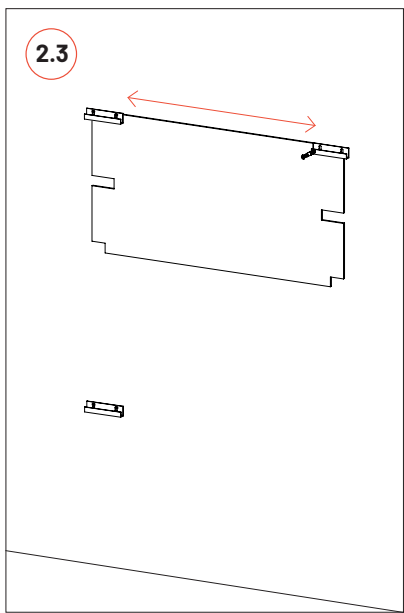
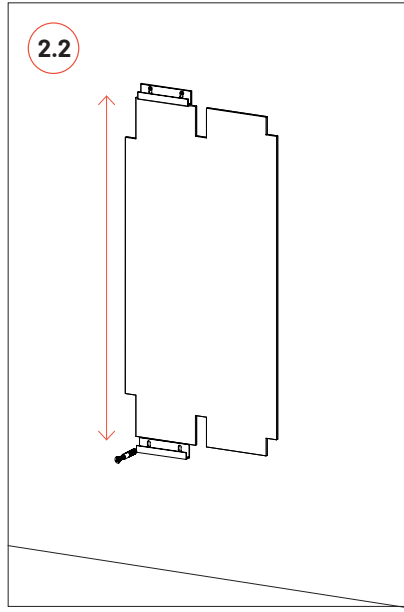
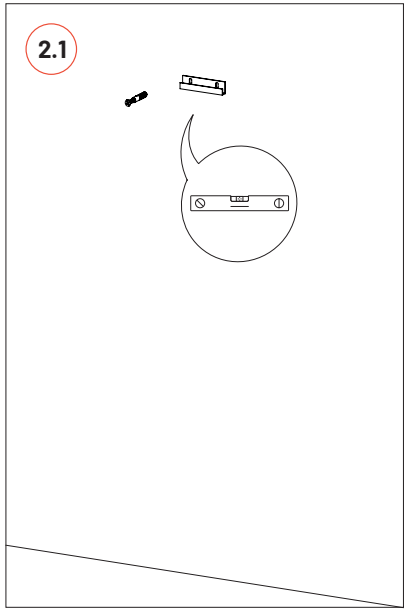
**Please note:** For ceiling installation do not use the VicFix J Profile sections supplied with the product. Use the VicFix J Profile 2m, sold separately. It is recommended to leave some centimeters beyond the last panel to avoid it to lose contact with the VicFix J profile. In countries where earthquakes are likely to happen, it should be applied a blocking element such as an L profile to avoid the last panel to slide off the VicFix J profile. Vicoustic will not take responsibility for any mistakes/limitations occurring during installations or any damages resulting from falling panels.

## Ways of using the gauge

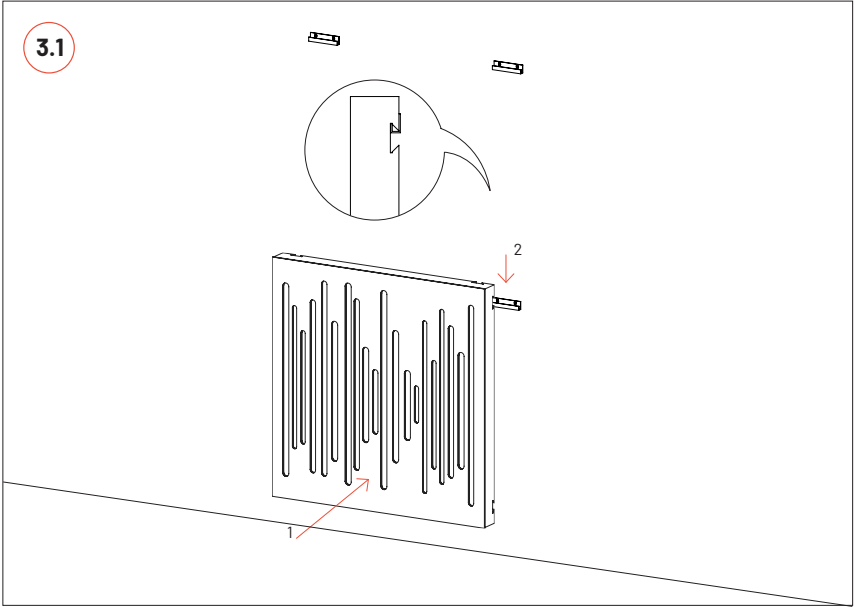


# 2

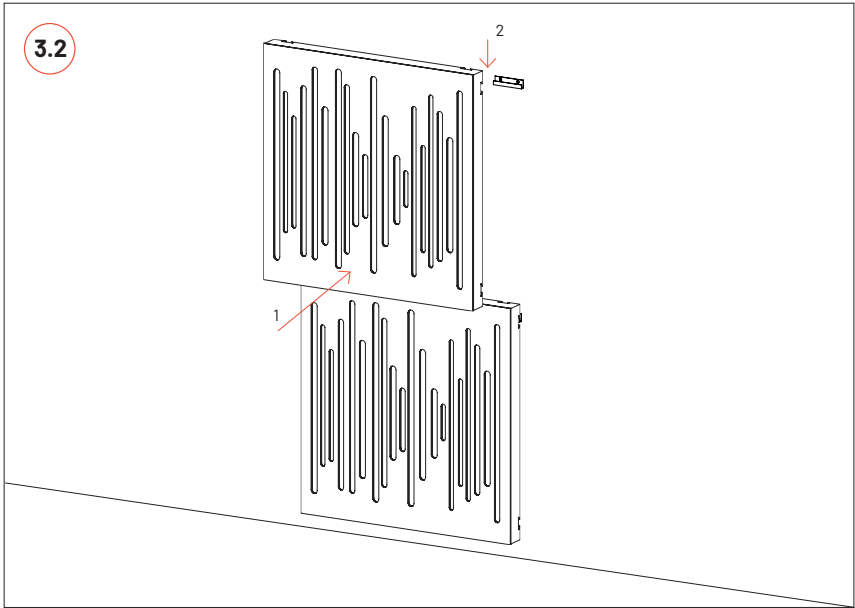
Step by step wall installation.



3.1



3.2



### **Main Office, R&D & Logistics**

Avenida do Pólo 3, N.º 159, Carvalhosa  
4590-137 Paços de Ferreira, Portugal  
T (+351) 255 136 746

### **Office**

Rua Quinta do Bom Retiro N.º 16, Armazém 9  
2820-690 Charneca da Caparica, Portugal  
T (+351) 212 964 100

### **Info and Sales**

E [sales@vicoustic.com](mailto:sales@vicoustic.com)

[www.vicoustic.com](http://www.vicoustic.com)



© Vicoustic, 2019 | V2

No parts of this document might be copied and/or published without written consent of Vicoustic.